

2000 Linear

General Specifications:

- Output Force Over 100 lbs
- Linear Speeds Over 2" per second
- Stroke Length 2" to 4"
- Brushless DC Motor
- Oil-Filled - Self-Contained - Compensated

Operating Conditions:

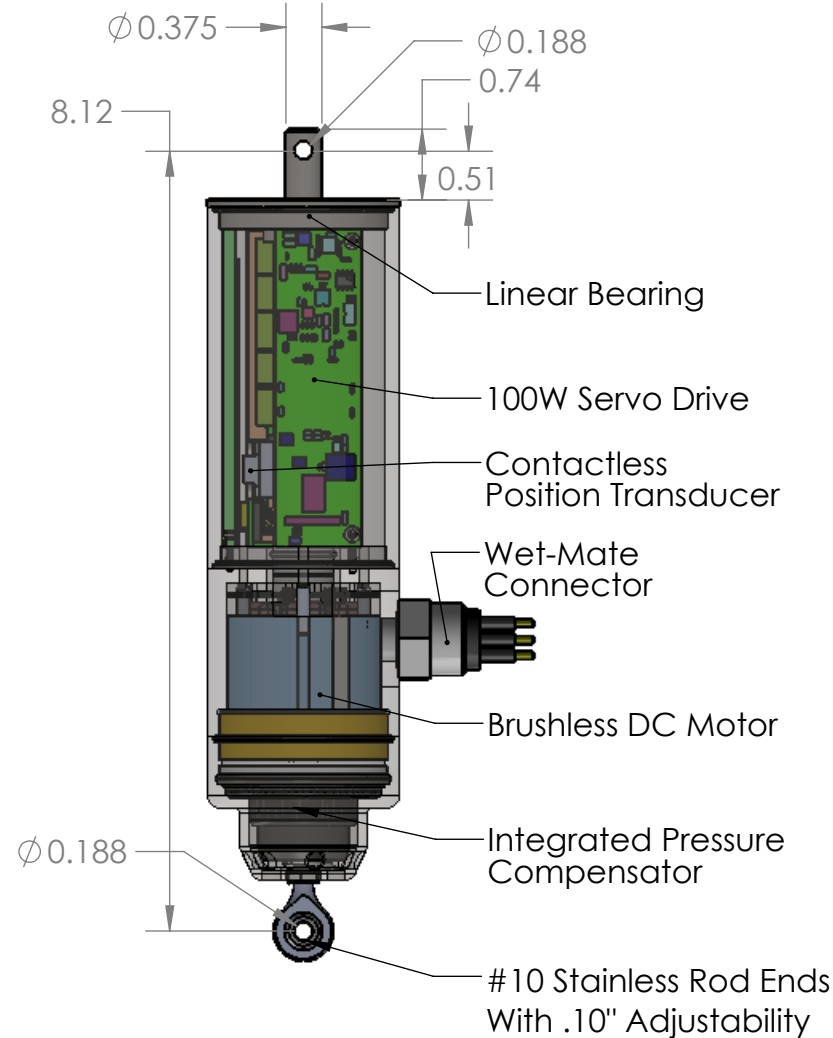
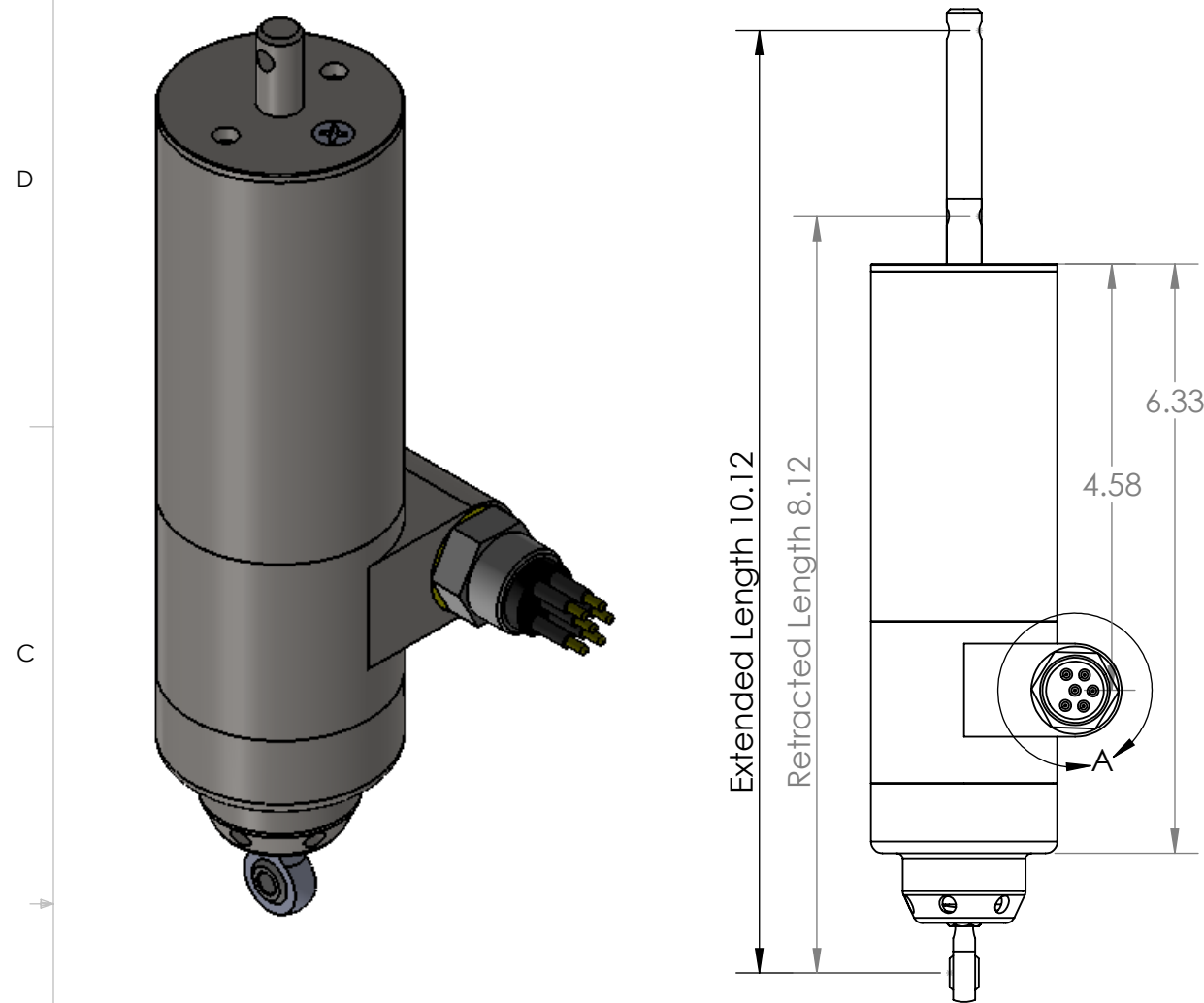
- Voltage 12 <-> 32 Volts DC
- Operating Depth Greater Than 10,000 ft
- Operating Temperature Range: -20°C to 65°C
- Storage Temperature Range: -30°C to 85°C

Onboard Motor Driver and Servo System:

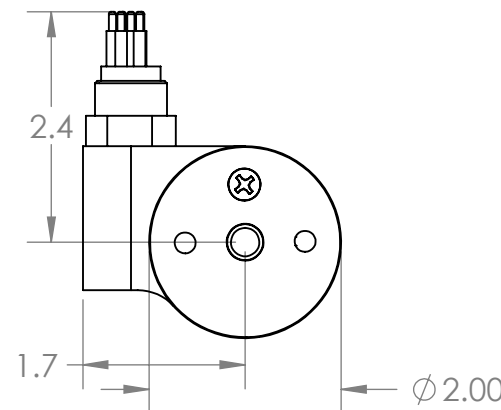
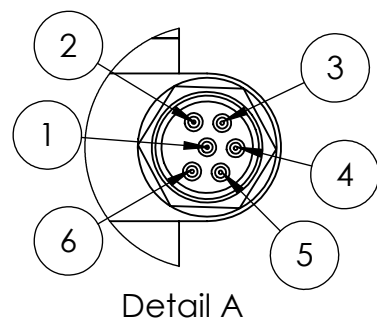
- Configurable current limits, power and speed
- RS-232 & RS-485 Interface
- Optional Analog, Modbus or CAN Bus
- Contactless non-wearing absolute position encoder
- Does not require homing
- 0.005" Accuracy

Current Draw @24V DC:

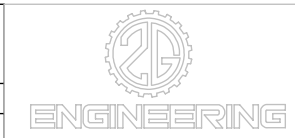
- Idle current = 0.03A
- Motor ON braking = 0.12A
- Max force @ Stall = 5A



Pinouts for MCBH-6-M
 1: TX (RS-232 out)
 2: RX (RS-232 in)
 3: RS-485 (-)
 4: +VIN
 5: -VIN
 6: RS-485 (+)



Shaft Style		Shaft Length (in.)		Material		Dry Weight (lbs)	Wet Weight (lbs)	Connectors		Connector Orientation	
#10 Rod End	R	2.00 *	2000	Titanium	TI	2.8	2	MCBH 4 Pin Male	4M	Parallel Forward	PLF
3/16in. Clevis Pin *	C	4.00	4000	316 SS *	SS	3.9	3.2	MCBH 6 Pin Male *	6M	Parallel Backward	PLB
1/4in. Clevis Pin	.25C			6061-AL-Natural	ALN	2.3	2.0	MCBH 8 Pin Male	8M	Perpendicular *	PD
1/4in. Rod End	.25R			6061-AL-Black	ALK	2.3	2.0	MCBH 4 Pin Female	4F		
				6061-AL-Blue	ALB	2.3	2.0	MCBH 6 Pin Female	6F		
				6061-AL-Green	ALG	2.3	2.0	MCBH 8 Pin Female	8F		
				6061-AL-Red	ALR	2.3	2.0				
* Model shown: 2000L-C2000-SS-6MPD						All Weights Are Approximate for 2in Stroke Actuator					



2G ENGINEERING
WWW.2G-ENG.COM

TITLE:
2000 Series Linear Actuator

PROPRIETARY AND CONFIDENTIAL

THE INFORMATION CONTAINED IN THIS DRAWING IS THE SOLE PROPERTY OF 2G ENGINEERING. ANY REPRODUCTION IN PART OR AS A WHOLE WITHOUT THE WRITTEN PERMISSION OF 2G ENGINEERING IS PROHIBITED.

SIZE: **B**

DWG. NO.: **2000L**

REV: **H**

SCALE: 1:2

WEIGHT:

SHEET 1 OF 5