

3000 Series Rotary Actuator

General Specifications:

- Absolute angle feedback and turn counting
- Maximum rotational force: **120 foot pounds @ 5 RPM**
- Continuous rotational force: **65 foot pounds @ 20 RPM**
- Maximum rotational speed: **50 rpm @24V**
- Brushless DC motor
- Oil filled - Self contained - Pressure compensated
- Integrated LED shaft position indicator
- Multiple gear ratios available

Operating Conditions

- Voltage 12<->100 Volts DC
- Operating depth up to 20,000 ft
- Operating temperature range: -20° C to 65° C
- Storage temperature range: -30° C to 85° C

Onboard Motor Drive and Servo System

- Configurable current limits, power and speed
- RS-232 & RS-485 Interface, CAN, Ethernet, Modbus
- Contactless non-wearing absolute position angular encoder
- Does not require homing
- 0.1 degree resolution
- 500 Watt Servo drive

Shaft loads

- Radial-25 lbs max
- Thrust-10 lbs max

D

D

C

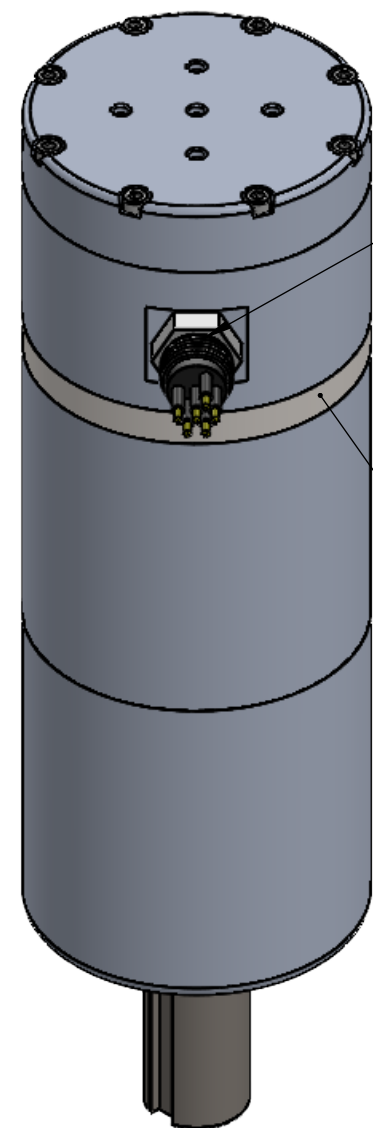
C

B

B

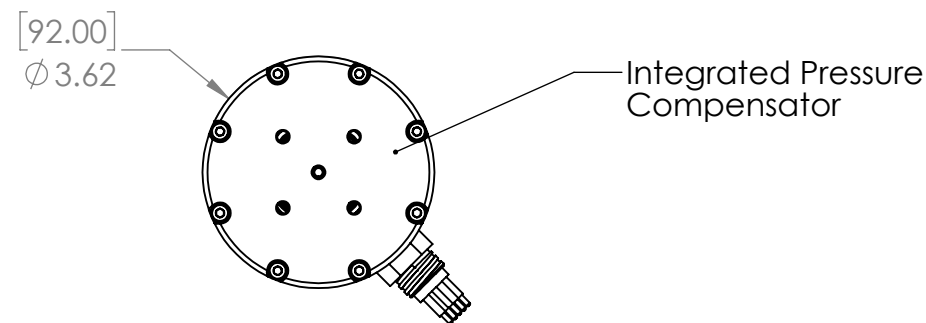
A

A



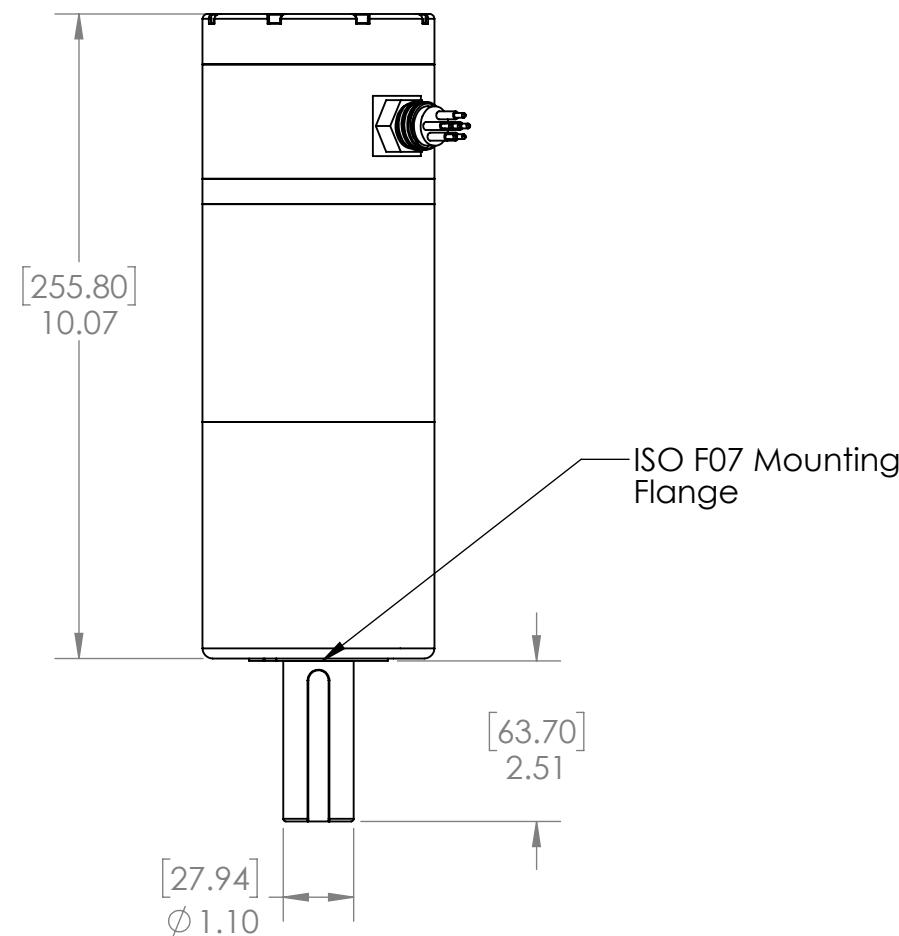
Multiple Connector Options

LED Light Ring Shaft Position Indicator



Integrated Pressure Compensator

[92.00]
Ø 3.62

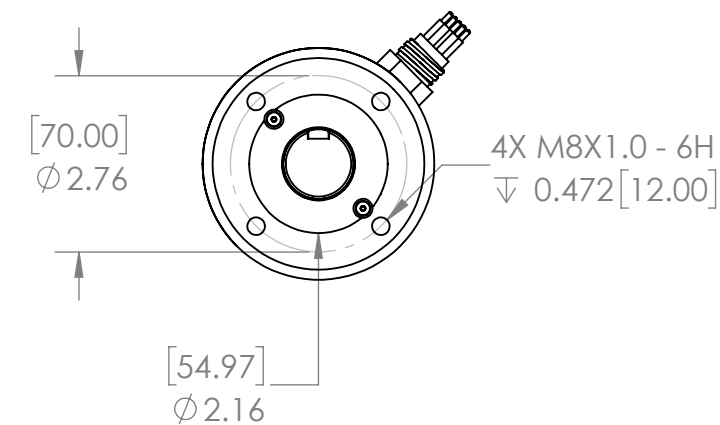


ISO F07 Mounting Flange

[255.80]
10.07

[63.70]
2.51

[27.94]
Ø 1.10



4X M8X1.0 - 6H
▽ 0.472 [12.00]

[70.00]
Ø 2.76

[54.97]
Ø 2.16

	INITIALS	DATE
DRAWN	MTG	06/05/2020
APPROVED	---	xx/xx/xxxx

PROPRIETARY AND CONFIDENTIAL
THE INFORMATION CONTAINED IN THIS DRAWING IS THE SOLE PROPERTY OF 2G ENGINEERING. ANY DISTRIBUTION OR REPRODUCTION IN PART OR AS A WHOLE WITHOUT THE WRITTEN PERMISSION OF 2G ENGINEERING IS PROHIBITED.

2G ENGINEERING
WWW.2G-ENG.COM 608-825-4799

TITLE: **ASSEMBLY, ACTUATOR, 3000 SERIES ROTARY**

SIZE **B** THIRD ANGLE PROJECTION DWG. NO. **G001400** REV **A**

SCALE: 1:3 WEIGHT: SHEET 1 OF 1