

High Torque Model

General Specifications:

- Absolute angle feedback and turn counting
- Maximum rotational force **50 foot pounds**
- Maximum rotational speed **9 RPM @24V**
- Brushless DC motor
- Oil-filled - self-contained - compensated

Operating Conditions:

- Voltage 12 <-> 32 Volts DC nominal
- Operating depth greater than 10,000 ft
- Operating temperature range: -20°C to 65°C
- Storage temperature range: -30°C to 85°C

Onboard Motor Driver and Servo System:

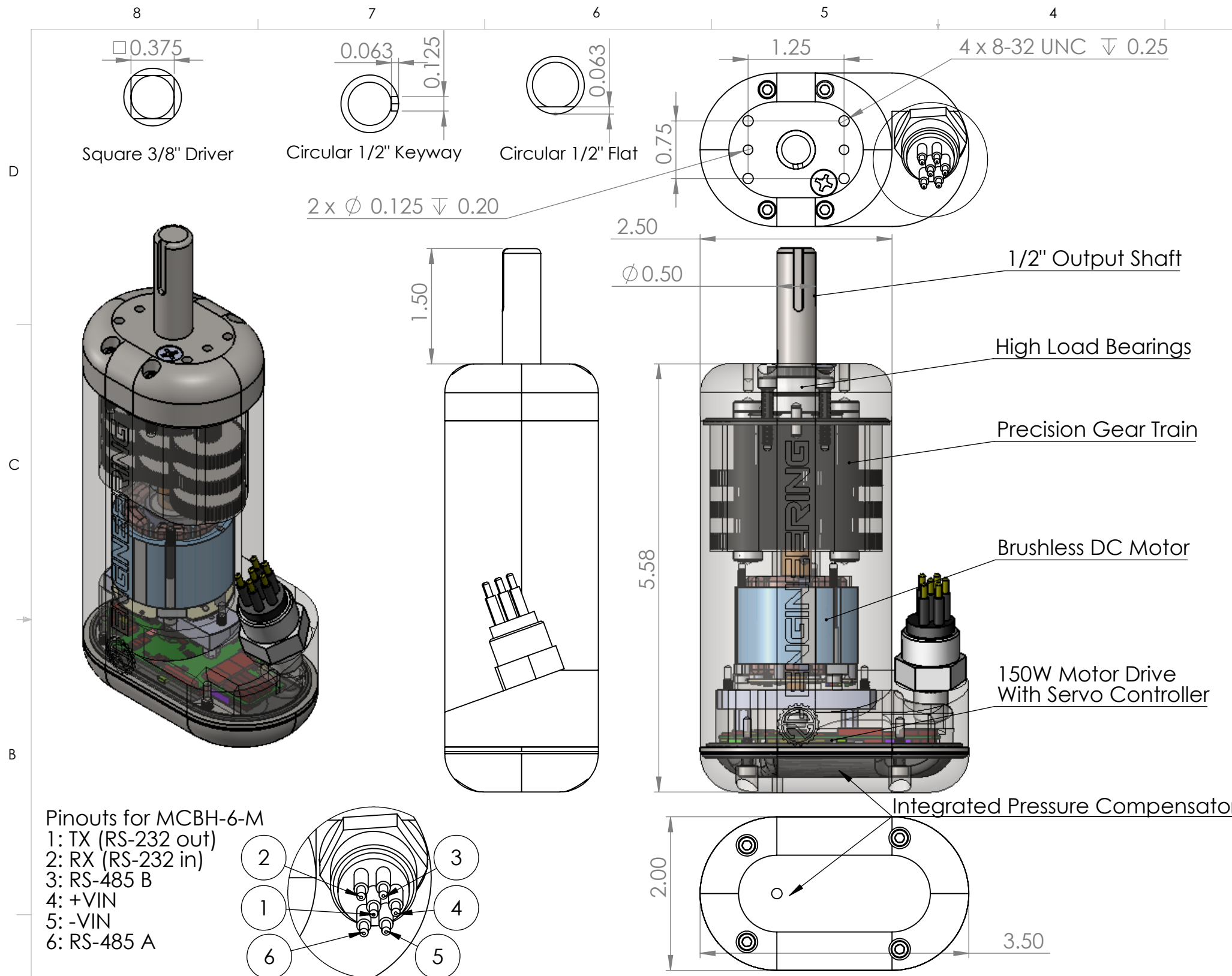
- Configurable current limits, power and speed
- RS-232 & RS-485 Interface
- Optional Analog, Modbus or CAN Bus
- Contactless non-wearing absolute position angular encoder
- Does not require homing
- 0.1 degree resolution

Current Draw @24V DC:

- Idle current = 0.03A
- Motor ON braking = 0.12A
- Max torque @ Stall = 5A
- 5 RPM @ 5 foot pounds = ~1A

Shaft Loads:

- Radial- 25 lbs max
- Thrust- 10 lbs max



Pinouts for MCBH-6-M

- 1: TX (RS-232 out)
- 2: RX (RS-232 in)
- 3: RS-485 B
- 4: +VIN
- 5: -VIN
- 6: RS-485 A

Shaft Style		Shaft Diameter(in.)		Shaft Length (in.)		Material		Dry Weight (lbs)	Wet Weight (lbs)	Connectors	
Square	S	1/4	A	0.50	0500	Titanium	TI	3.4	2.5	MCBH 4 Pin Male	4M
Keyway *	K	3/8	B	0.83	0830	316 Stainless Steel *	SS	5.0	4.1	MCBH 6 Pin Male *	6M
Flat	F	1/2 *	C	1.00	1000	6061-Aluminum-Natural	ALN	2.7	1.8	MCBH 8 Pin Male	8M
				1.50 *	1500	6061-Aluminum-Black	ALK	2.7	1.8	MCBH 4 Pin Female	4F
						6061-Aluminum-Blue	ALB	2.7	1.8	MCBH 6 Pin Female	6F
						6061-Aluminum-Green	ALG	2.7	1.8	MCBH 8 Pin Female	8F
						6061-Aluminum-Red	ALR	2.7	1.8		
* Model shown: 2000RHT-KC1500-SS-6M								All Weights Are Approximate			

2G ENGINEERING
WWW.2G-ENG.COM

TITLE:
2000 Series High Torque Rotary Actuator

SIZE **B** DWG. NO. **2000RHT** REV **D**

SCALE: 1:1.5 SHEET 1 OF 1

ENGINEERING

DRAWN: GMPH 10/30/2015

CHECKED: GMPH 10/30/2015

PROPRIETARY AND CONFIDENTIAL

THE INFORMATION CONTAINED IN THIS DRAWING IS THE SOLE PROPERTY OF 2G ENGINEERING. ANY REPRODUCTION IN PART OR AS A WHOLE WITHOUT THE WRITTEN PERMISSION OF 2G ENGINEERING IS PROHIBITED.