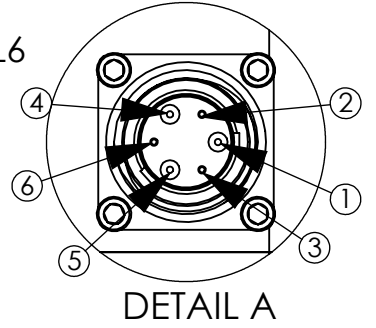


Pinouts for Seacon MINL6
 1: -VIN
 2: RS-232 GND
 3: TX (RS-232 out)
 4: +VIN
 5: Unused
 6: RX (RS-232 in)



3500 Rotary Actuator

General Specifications:

- Absolute angle feedback and turn counting
- Maximum rotational force: 100 foot pounds
- Maximum rotational Speed: 20 RPM@24V
- Brushless DC Motor
- Oil-Filled - Sealed - Compensated

Operating Conditions:

- Voltage 12 <-> 32 Volts DC nominal
- Operating depth greater than 10,000 ft
- Operating temperature range: -20°C to 65°C
- Storage temperature range: -30°C to 85°C

Onboard Motor Driver and Servo System:

- Configurable current limits, power and speed
- RS-232 & RS-485 Interface
- Optional Analog, Modbus or CAN Bus
- Contactless non-wearing absolute position angular encoder
- Does not require homing
- 0.1 degree resolution

Current Draw @24V DC:

- Idle current = 0.06A
 - Motor ON braking = 0.12A
 - Max torque @ Stall = 8A
 - 20 RPM @ 50 foot pounds = 13A
 - 20 RPM @100 foot pounds = 25A
- *Current draw varies with specific motor winding used and temperature. Consult 2G for information specific to your application.

Shaft Style		Socket Size(in.)		Material		Dry Weight (lbs)	Wet Weight (lbs)	Connectors	
Socket *	SK	3/4 *	E	Titanium	TI	27	21	6 Pin Seacon MINL6 *	6S
Splined	SP	1	G	316 Stainless Steel *	SS	37	31	8 Pin Male BH	8MB
				6061-Aluminum-Black	ALK	21	15	10 Pin Male BH	10MB
				6061-Aluminum-Blue	ALB	21	15	8 Pin Female BH	8FB
				6061-Aluminum-Green	ALG	21	15	10 Pin Female BH	10FB
				6061-Aluminum-Red	ALR	21	15		
* Model shown: 3500RB-SKE-SS-6S						All Weights Are Approximate			

2G ENGINEERING
WWW.2G-ENG.COM

TITLE: **3500 Series Rotary Actuator With Brake**

ENGINEERING	DRAWN: GMPH	2/15/2016
	CHECKED: GMPH	2/15/2016
PROPRIETARY AND CONFIDENTIAL		
THE INFORMATION CONTAINED IN THIS DRAWING IS THE SOLE PROPERTY OF 2G ENGINEERING. ANY REPRODUCTION IN PART OR AS A WHOLE WITHOUT THE WRITTEN PERMISSION OF 2G ENGINEERING IS PROHIBITED.		
SIZE B	DWG. NO. 3500RB	REV E
SCALE: 1:3	WEIGHT: 35.53	SHEET 1 OF 1